

**MATERIALS LIST:**

**QTY DESCRIPTION**

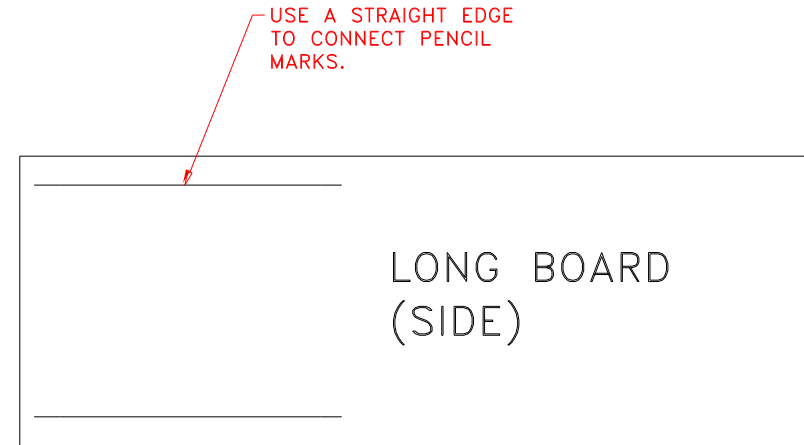
- 3 Cedar boards 2"x8" by 8'or10' long, sanded (not rough cut)
- 8 5" Steel corner brackets with predrilled holes, ~1" wide, 1/8" thick.
- 32 5/16" bolt 2" long
- 32 5/16" lock nut
- 32 5/16" flat washer

Note: 8' long board will build a 4'x8' bed,  
10' boards will build a 5'x10' bed.

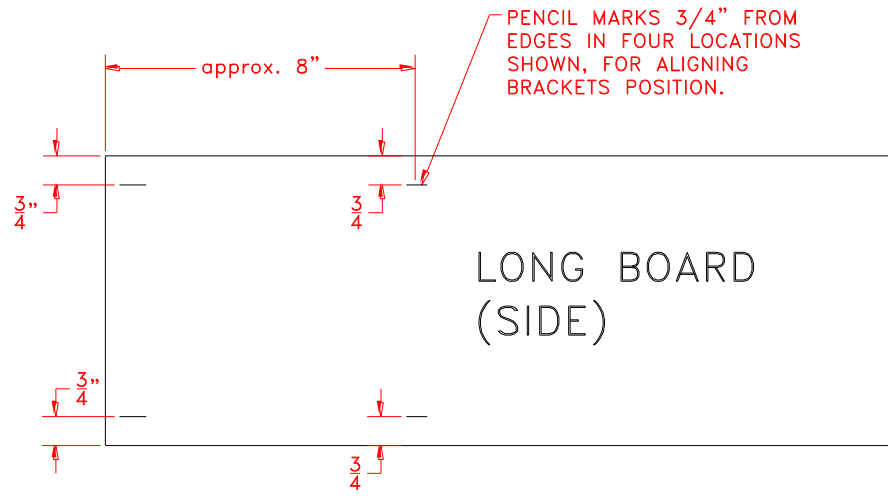
**TOOLS LIST:**

- Two wrenches for bracket bolts & nuts.
- Pencil
- Carpenter square (for measuring and drawing straight lines)
- Hand saw
- Hand drill
- drill bit (auger style wood bit for best results)

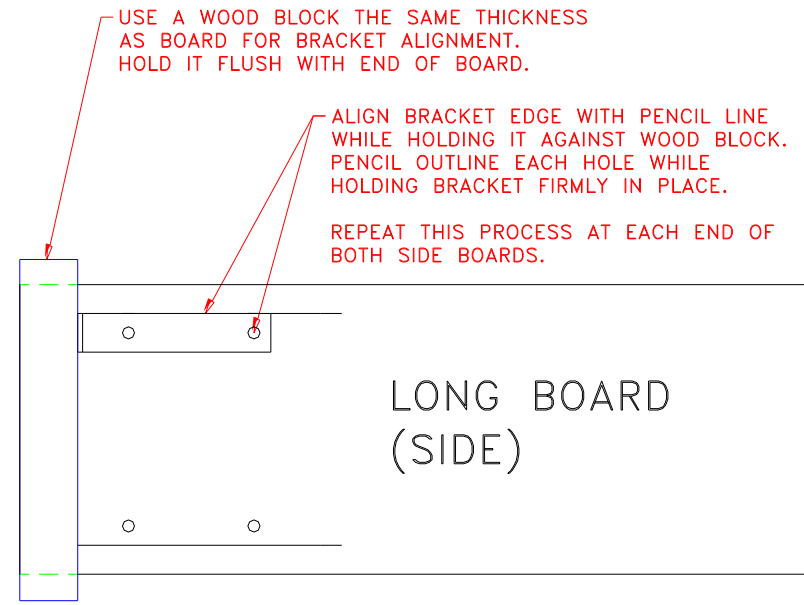
2



1



3



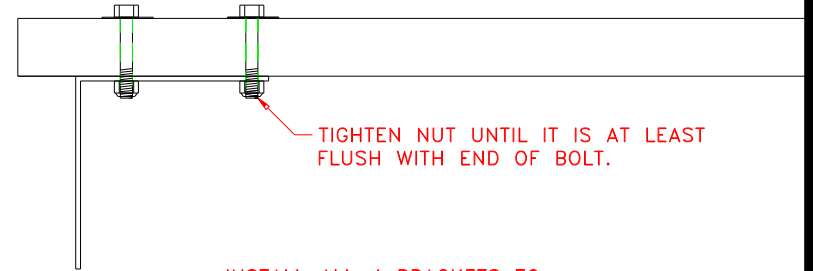
4

DRILL THROUGH BOARDS AT ALL MARKED HOLE LOCATIONS. MUST DRILL PRECISELY AT CENTER OF MARKS.

FOR ALL DRILLING, PLACE A SCRAP BOARD UNDER EACH END TO GIVE CLEARANCE FOR DRILL BIT TO PASS THOUGH BOARD WITHOUT DAMAGING BIT TIP.

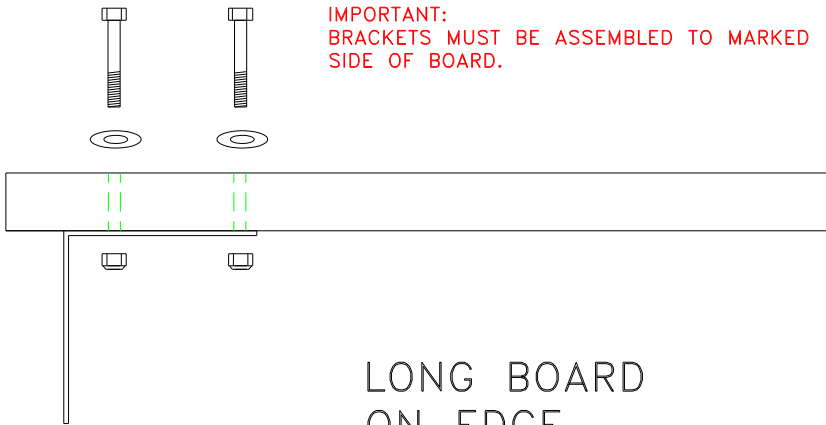


6



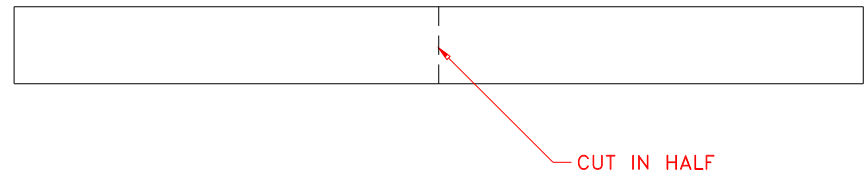
5

IMPORTANT: BRACKETS MUST BE ASSEMBLED TO MARKED SIDE OF BOARD.



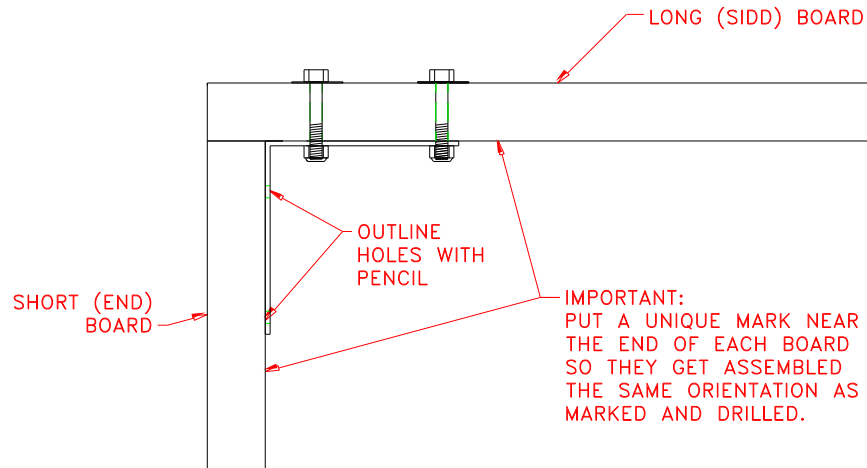
7

CUT REMAINING (3rd) BOARD EXACTLY IN HALF TO CREATE THE SHORT END BOARDS. MARK WITH CARPENTER SQUARE TO MAKE STRAIGHT PERPENDICULAR CUT.

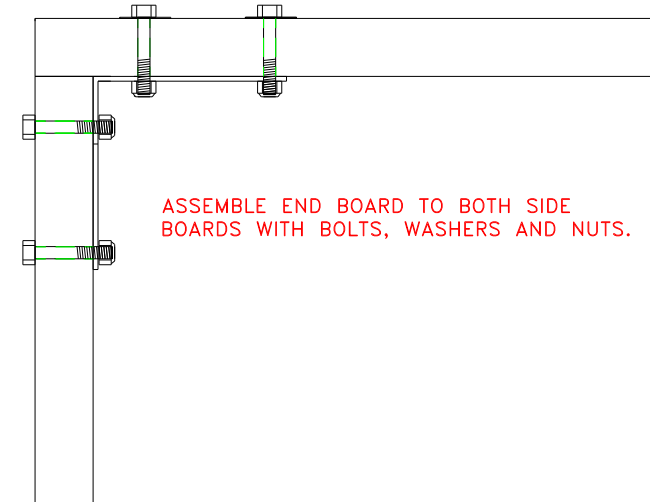


8

PLACE LONG AND SHORT BOARDS PERPENDICULAR TO EACH OTHER ON A FLAT SURFACE. HOLD THEM TOGETHER TIGHTLY AND ALIGNED WHILE PENCIL MARKING THE 4 BRACKET HOLES.



10



9

REPEAT STEP 8 TO MARK BRACKET HOLES AT EACH END OF BOTH END BOARDS.

LAY END BOARDS DOWN FLAT AND DRILL THROUGH BOARDS AT ALL MARKED HOLE LOCATIONS. MUST DRILL PRECISELY AT CENTER OF MARKS.

11

REPEAT STEPS 8, 9 & 10 TO ASSEMBLE OTHER END BOARD TO SIDE BOARDS.

COMPLETED RAISED BED PLANTER

